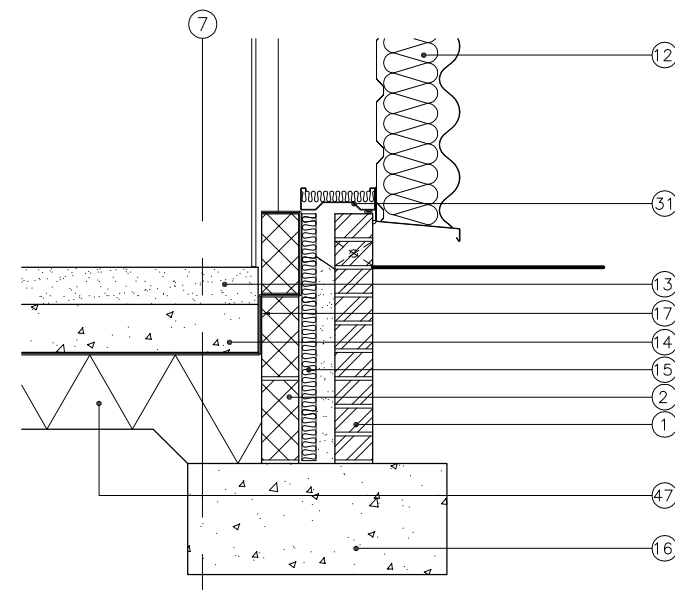
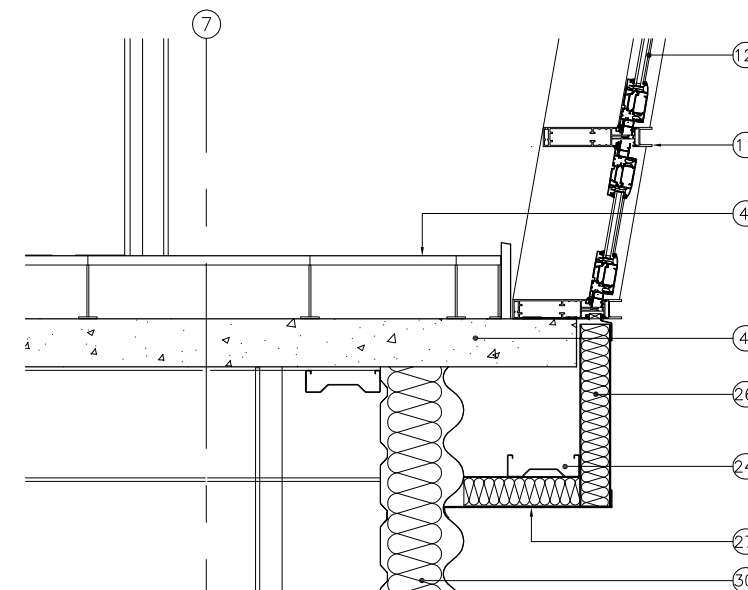


DETAIL 3 (1:10)



DETAIL 1 (1:10)



DETAIL 2 (1:10)

1. 102.5mm BLUE BRINDLED ENGINEERING BRICK.
2. 100mm BLOCKWORK MINIMUM MASS OF 120kg/m³ OR AS SPECIFIED ELSEWHERE
3. CONCRETE RETAINING WALL TO STRUCTURAL ENGINEER'S DESIGN AND SPECIFICATIONS.
4. STEEL TO STRUCTURAL ENGINEER'S DESIGN AND SPECIFICATIONS.
5. SECONDARY SUPPORT STEEL TO STRUCTURAL ENGINEER'S DESIGN AND SPECIFICATIONS.
6. STEEL CHANNEL TO STRUCTURAL ENGINEER'S DESIGN AND SPECIFICATIONS.
7. GUTTER PLEASE REFER TO CLADDING CONTRACTORS DETAILS AND SPECIFICATIONS.
8. ALUMINIUM GUTTER AS SPECIFIED ELSEWHERE.
9. SILICONE SEAL BY PROPRIETARY MANUFACTURER
10. TECHNICAL THERMALLY INSULATED CURTAIN WALLING SYSTEM WITH DOUBLE GLAZING FIXED AS PER MANUFACTURER'S INSTRUCTIONS: COLOUR: RAL 9006
11. POLYESTER POWDER COATED CURTAIN WALLING: COLOUR: RAL 9006.
12. ALUMINIUM POWDER COATED CURTAIN WALLING: COLOUR: RAL 9006 WITH DOUBLE GLAZING INCLINED AT 10°.
13. 100mm CONCRETE FLOOR SCREED TO STRUCTURAL ENGINEER'S SPECIFICATIONS
14. 130mm REINFORCED IN-SITU CONCRETE FLOOR SLAB TO STRUCTURAL ENGINEER'S SPECIFICATIONS
15. 55mm KINGSPAN THERMAWALL TWS0 EXPANDED POLYSTYRENE INSULATION BOARDS FIXED BY CAVITY WALL CLIPS AT 600mm C/C HORIZONTAL
16. FOUNDATIONS TO STRUCTURAL ENGINEER'S DESIGN AND SPECIFICATIONS
17. CETCO VOICLAY FIXED TO MANUFACTURER'S INSTRUCTIONS.
18. PREFORMED CAVITY TRAY.
19. LEAD FLASHING (MIN 2mm) INSTALLED & TYPE AS REC'D BY LEAD SHEET ASSOCIATION
20. MINERAL WOOL INSULATION.
21. ALUMINIUM DRIP FLASHING TO CURTAIN WALLING SYSTEM, COLOUR: RAL 9006.
22. CURVED STANDING SEAM ROOF BY SPEED DECK. COLOUR: PVF2 METALLIC SILVER. ROOF PANELS TO BE PRE-CURVED TO SUIT RADIUS WITH SD100 BREATHER MEMBRANE DIRECTLY BELOW ROOF PANEL LAID IN ACCORDANCE WITH MANUFACTURER'S RECOMMENDATIONS.
23. ALUMINIUM POWDER COATED COLOUR RAL 9006 DOUBLE GLAZED ROOFLIGHT. DOUBLE GLAZED UNITS TO CONSIST OF 6mm CLEAR TOUGHENED LOW 'E' OUTER 14mm AIR SPACE AND 8.8mm CLEAR LAMINATED INNER TO 854205 CLASS A AND B RESPECTIVELY.
24. METAL PURLINS TO STRUCTURAL ENGINEER'S DESIGN AND SPECIFICATIONS
25. VERTICAL STEEL SUPPORT TO PURLINS FIXED TO OUTRIGGERS. LENGTHS VARY TO CREATE A 1.5 DEGREE PITCH TO ROOF TO STRUCTURAL ENGINEER'S DESIGN AND SPECIFICATIONS.
26. INSULATED ALUMINIUM POWDER COATED FASCIA BOARD: COLOUR: RAL 9006.
27. INSULATED ALUMINIUM POWDER COATED SOFFIT BOARD: COLOUR: RAL 9006.
28. KINGSPAN K31000RW INSULATED ROOF PANEL: COLOUR: GOOSEWING GREY FIXED TO MANUFACTURER'S INSTRUCTIONS.
29. TRAPEZOIDAL INSULATED CLADDING PANEL AS SPEC'D. COLOUR: SILVER RAL 9006 FIXED TO MANUFACTURER'S INSTRUCTIONS
30. KINGSPAN 'MICROBIB' INSULATED COMPOSITE CLADDING PANELS. COLOUR: SILVER RAL 9006
31. METAL PAILS TO STRUCTURAL ENGINEER'S DESIGN AND SPECIFICATIONS.
32. HORIZONTAL LOUVRES: COLOUR: SILVER RAL 9006
33. HANDOVER ROOM LIFT TO SPECIALIST DESIGN AND SPECIFICATION
34. 12.5mm PLASTERBOARD TAPED JOINTS
35. BRISE SOLLEIL: TYPE: ALUMINIUM BLADE SUN SHADE SYSTEM SET UPON STEEL OUTRIGGERS. TO SPECIALIST DESIGN FINISH. COLOUR: RAL 9006.
36. 97.5mm VENTILATED CAVITY
37. WALL TIE TO STRUCTURAL ENGINEER'S SPECIFICATIONS.
38. DOOR TO SDA DOOR SCHEDULE DWG C(30)001 & C(30)002
39. ROLLER SHUTTER TO SDA ROLLER SHUTTER SCHEDULE DWG C(30)013
40. WINDOW AS SPECIFIED ELSEWHERE.
41. METAL STUDWORK FRAMING AS SPECIFIED ELSEWHERE.
42. 2 LAYERS 12.5mm PLASTERBOARD WITH TAPED JTS ON SUBSTRATE AS SPECIFIED
43. 1 LAYER 12.5mm PLASTERBOARD WITH TAPED JTS ON SUBSTRATE AS SPECIFIED
44. 100mm BLOCKWORK MINIMUM MASS OF 120kg/m³ WITH 13mm LIGHTWEIGHT PLASTER FINISH & FINISH AS SCHEDULED
45. BY SPECIALIST
46. METAL DECK TO STRUCTURAL ENGINEER'S DRAWINGS.
47. HARDWARE AS SPEC'D BY STRUCTURAL ENGINEER.
48. THRESHOLD
49. DRAINAGE AS DETAILED ELSEWHERE.
50. SPEEDDECK STANDING SEAM ROOFLADDING. COLOUR: PVF2 METALLIC SILVER WITH 180mm ROCKWOOL MINERAL FIBRE-MAT QUILT INSULATION TO MANUFACTURER'S RECOMMENDATIONS.
51. CEILING AS SPECIFIED.
52. RAISED FLOOR BY PROPRIETARY MANUFACTURER
53. GLAZED SCREEN TO SDA SCREEN SCHEDULE DWG C(30)007
54. SANITARYWARE TO SDA FINISHES DRAWINGS.
55. LIFT TO SPECIALIST DESIGNER'S DESIGN AND FITTED TO MANUFACTURER'S INSTRUCTIONS.
56. WORKSHOP COUNTER.
57. KEE KLAMP.
58. STAIRS AS SPECIFIED.
59. BALUSTRADE AS SPECIFIED.
60. LADDER AS SPECIFIED.
61. GLASS AS SPECIFIED.
62. 130mm DEEP CUT IN FLOOR SLAB FOR SPECIALIST VEHICLE LIFT TO DMF DWGS.
63. INSULATED DPC BY RUBEROID OR SIM APPROVED.
64. MINERAL WOOL QUILT
65. FIRE PROOFING AS SPECIFIED
66. MOVEMENT JT AS SCHEDULED ELSEWHERE